

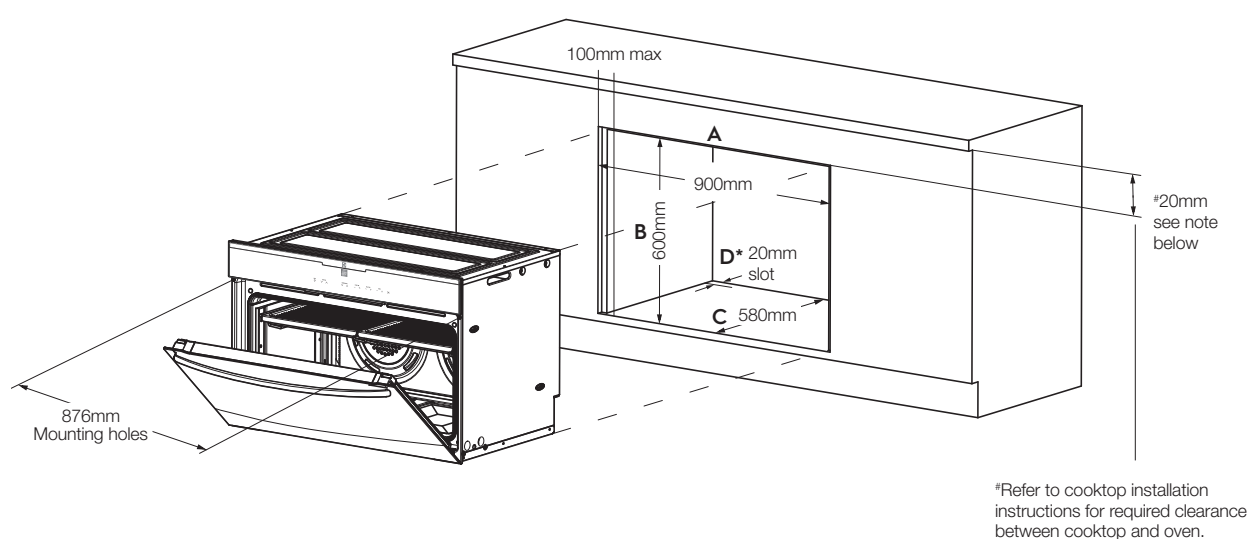
Dimension Guide

Built-in ovens / 90cm underbench

Model:
EVEP916DSD

Cut-out dimensions

Type of fit	A (width)	B (height)	C (depth)	D*
Flush fit (mm)	900	600	580 min.	20



Please note! Dimensions to be used as a guide only. All customers MUST refer to the user manual supplied with the product for detailed installation instructions.

*** D - Dimension**

For proper ventilation there must be a gap at the bottom rear of the cabinet. This can be a slot 20mm deep or an equivalent, full width opening (e.g. a series of holes) with a min area of 120cm². The opening must be clear of the product when fully installed. This is a requirement any EVEPxxxxx model. If the supply cord is damaged it must be replaced by the manufacturer, its service agent or similarly qualified persons in order to avoid a hazard.

© 2019 Electrolux Home Products Pty Ltd. EDIM_Oven_90_UB_Jan19